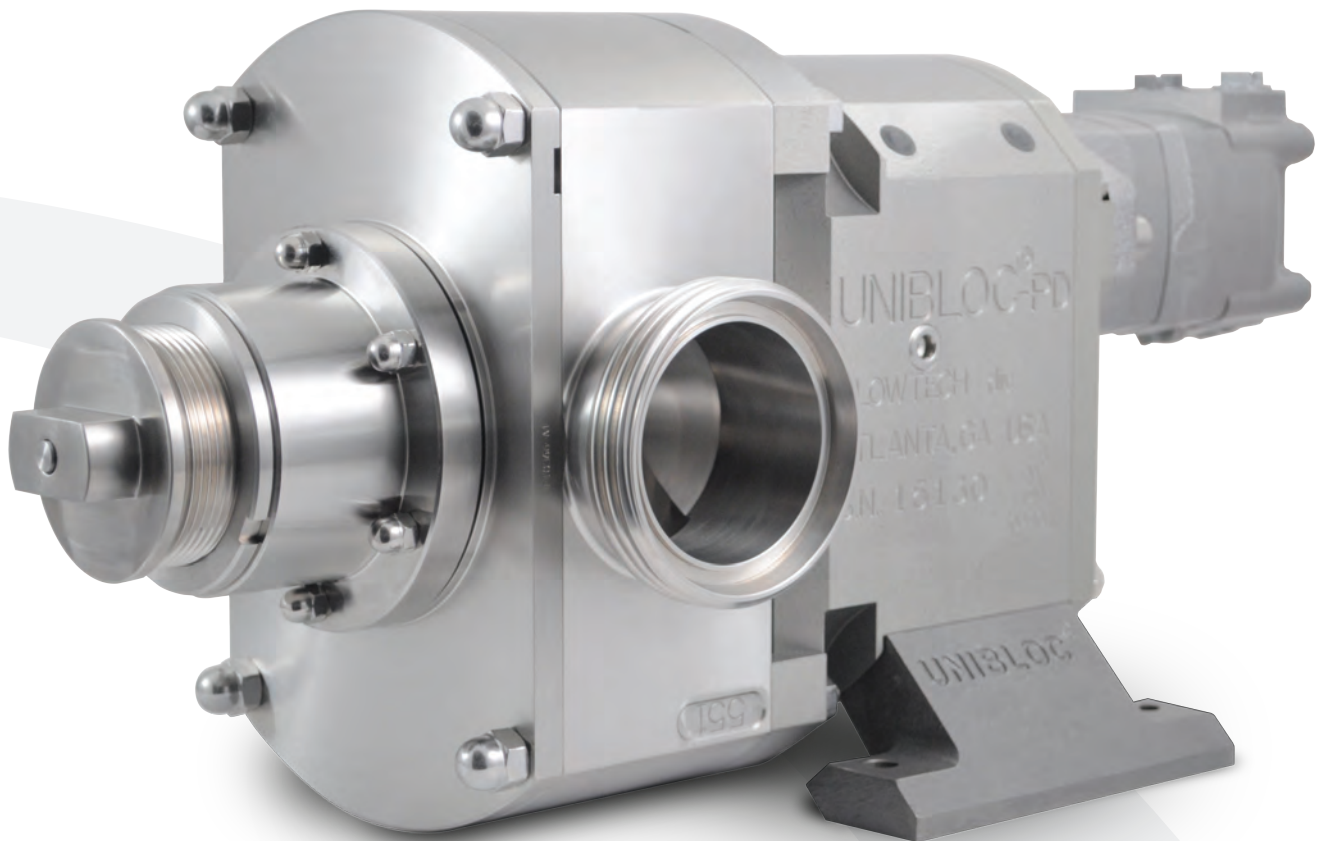


UNIBLOC®-PD

Food & Chemical Pumps
for the Tanker Industry



UNIBLOC®-PUMP

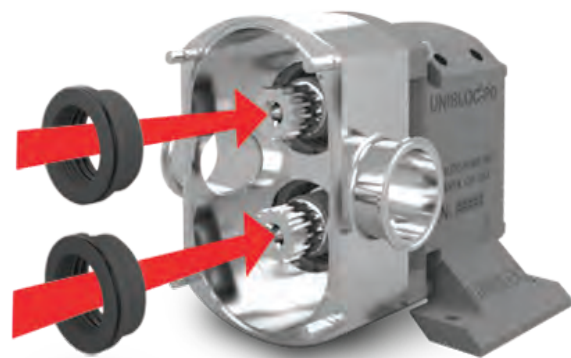
Reliability for the Long Haul

Designed with food, beverage, and chemical industry requirements in mind, the **Unibloc Road Tanker Pump** combines light weight design, rugged dependability, and long-term reliability. Standard options & features include:

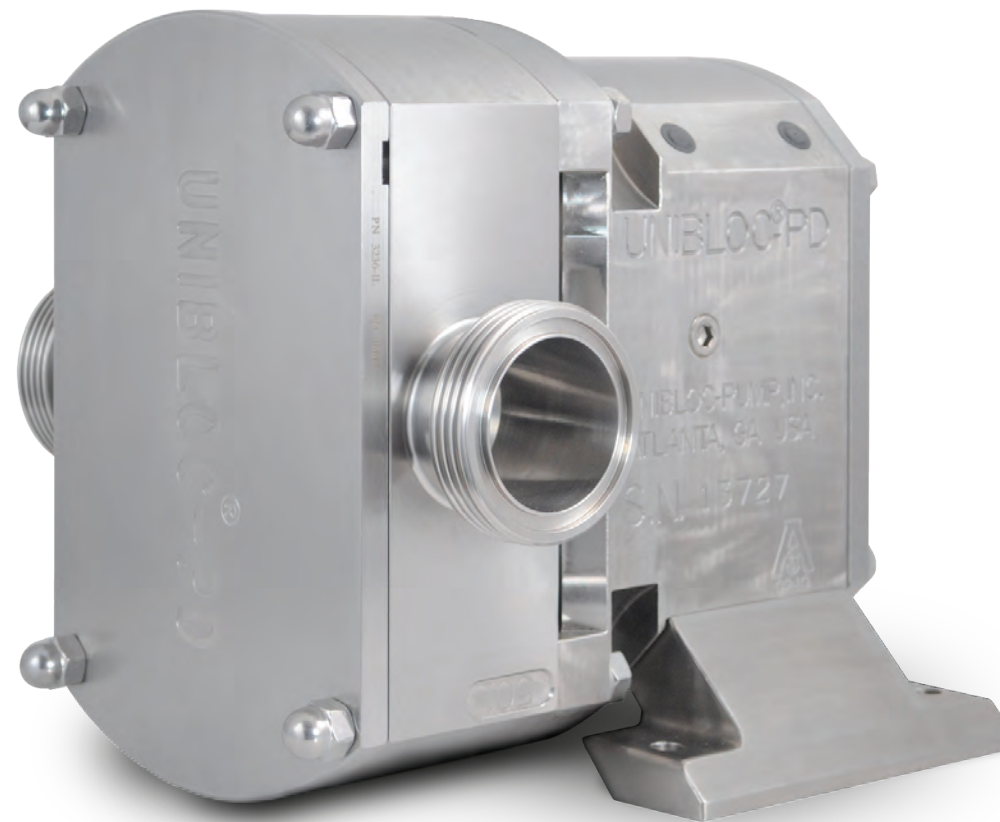
- Fully machined stainless steel pump head
- Compact design
- Versatile mounting
- High pressure capabilities
- Multiple rotors available
- Front loaded shaft seals
- Lightweight design
- Drop-in replacement design
- Hydraulic drive mount
- Relief valve options
- Heavy-duty roller bearings
- Oversized shafts for minimal deflection

Food & Beverage Pumps

- 3A sanitary design
- Dual coated, lightweight, aluminium bearing housing available
- Fully machined stainless bearing housing available
- Application specific shaft seals
- Multiple seal options available
- Replaceable shaft sleeves
- Multiple rotor materials available
- High pressure capabilities
- Jacketed pump heads

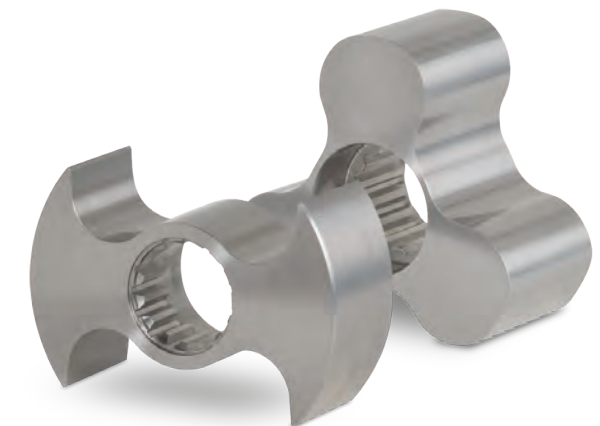


Front Loaded Shaft Seals: Unibloc Road Tanker Pumps offer front loaded seals for easy maintenance. Seal options include: the durable O-Lip™ Seal, O-Ring Seals and Single Mechanical Seals. Replaceable Shaft Sleeves are standard for low repair cost and easy maintenance.



Chemical Pumps

- ATEX certified design
- Fully machined stainless bearing housing available
- Application specific shaft seals
- Durable dual-coated gearbox
- Replacable shaft sleeves
- Front loaded mechanical seals available
- Inert, PTFE O-Lip™ seals available
- Multiple rotor materials available
- High speed, Tri-Lobe rotors available



Multiple Rotors Available: All rotors are made of 316L stainless steel. Two options are available: Bi-Lobe and Tri-Lobe designs. Rotors can be easily removed and installed for cleaning and maintenance.

Specifications

Food & Beverage Pumps

Pump Size	551	576, 3"	576, 4"
Max Cap., GPM (LPM)	228 (863)	253 (958)	253 (958)
Max Pres., PSIG (Bar)	250 (17)	200 (13)	200 (13)
Max Speed (RPM)	800	800	800
Weight, lbs (kg)	115 (52)	126 (57)	126 (57)
Connections	TRI-CLAMP, ACME, DIN, SMS		

Optional sizes available

Chemical Pumps

Pump Size	501CHEM	551CHEM
Max Cap., GPM (LPM)	198 (750)	252 (954)
Max Pres., PSIG (Bar)	250 (17)	250 (17)
Max Speed (RPM)	900	900
Weight, lbs (kg)	104 (47)	115 (52)
Connections	NPT, BSP, FLANGES, DIN, CAM LOCK	

Optional sizes available

Dimensions

Food & Beverage Pumps

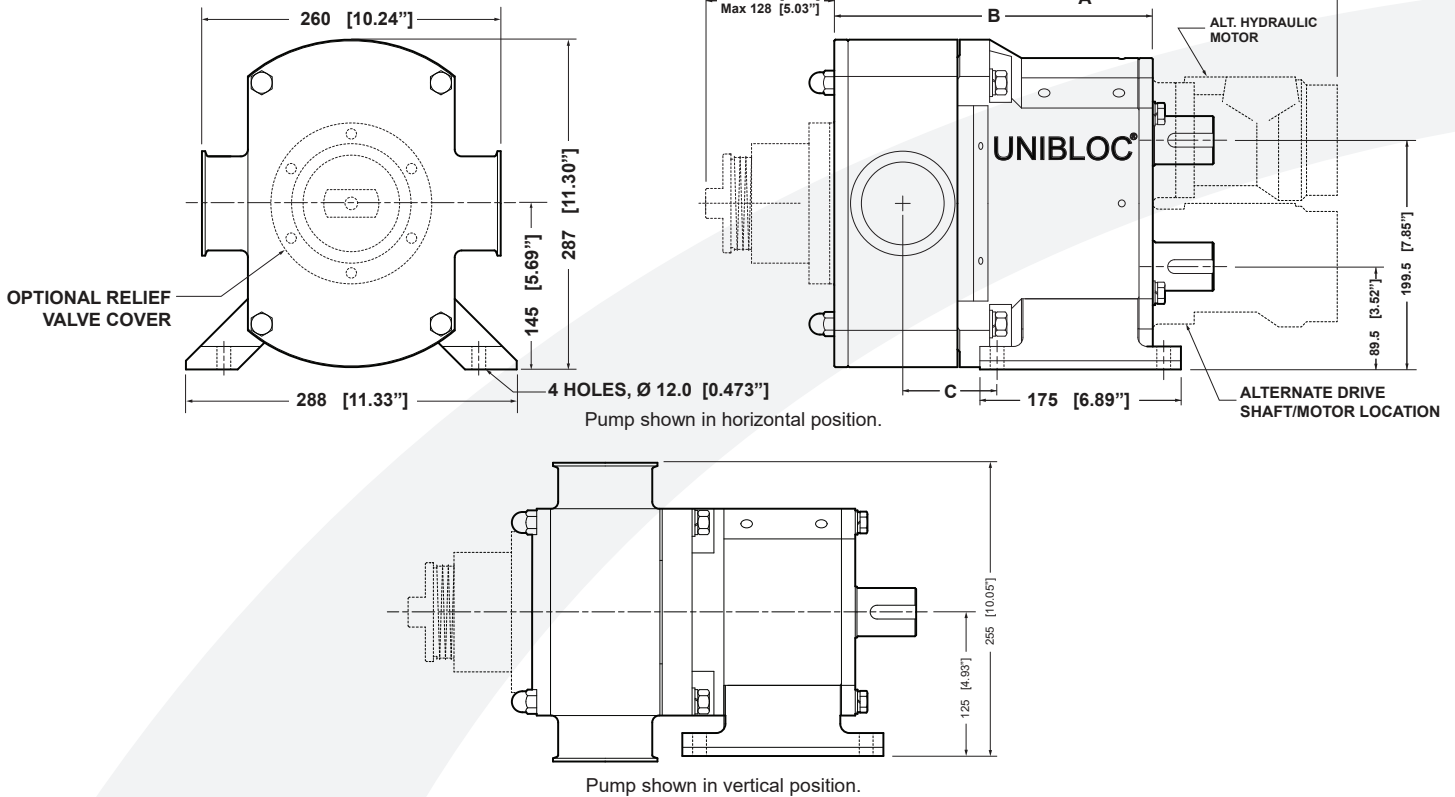
Pump Size	551	576	576
Port Size	3.0"	3.0"	4.0"
A-PTO	13.0" (330)	13.7" (349)	13.7" (349)
A-Charlynn	19.1" (486)	19.9" (505)	19.9" (505)
A-Danfoss	17.4" (441)	18.1" (460)	18.1" (460)
B	10.9" (277)	11.7" (296)	11.7" (296)
C	3.2" (82)	3.6" (92)	3.6" (92)

Dimensions in (mm)

Chemical Pumps

Pump Size	501CHEM	551CHEM
Port Size	2.5"	3.0"
A-PTO	12.4" (314)	13.0" (330)
A-Charlynn	18.5" (470)	19.1" (486)
A-Danfoss	16.7" (425)	17.4" (441)
B	10.3" (261)	10.9" (277)
C	2.9" (74)	3.2" (82)

Dimensions in (mm)



UNIBLOC®-PUMP

Unibloc-Pump, Inc.

1701 Spinks Drive SE • Marietta, Georgia 30067 • USA
 Tel 770-218-8900 Fax 770-218-8442 E-Mail info@uniblocpump.com
www.uniblocpump.com

Unibloc-Pump AB

Lantvärnsgatan 4 • 652 21 Karlstad • Sweden
 Tel +46-54-219000 Fax +46-54-212402 E-Mail info@uniblocpump.se
www.uniblocpump.se